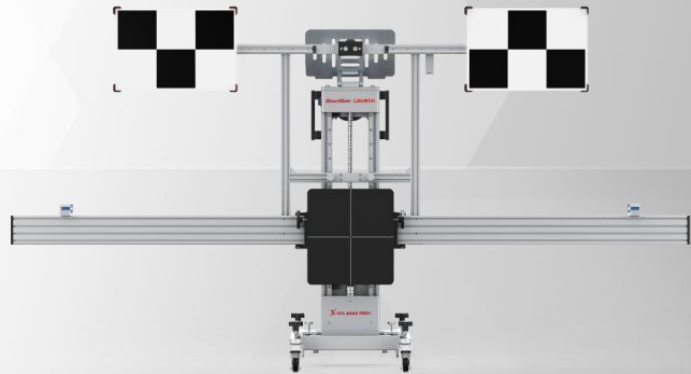
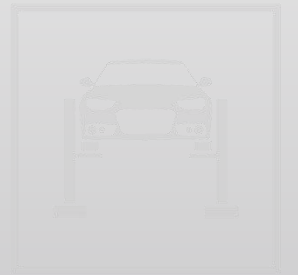
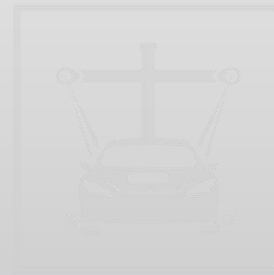
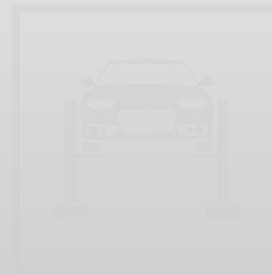
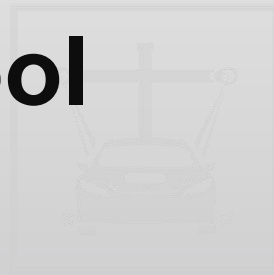


ADAS Calibration Tool X-431 ADAS PRO+



LAUNCH
EUROPE GMBH



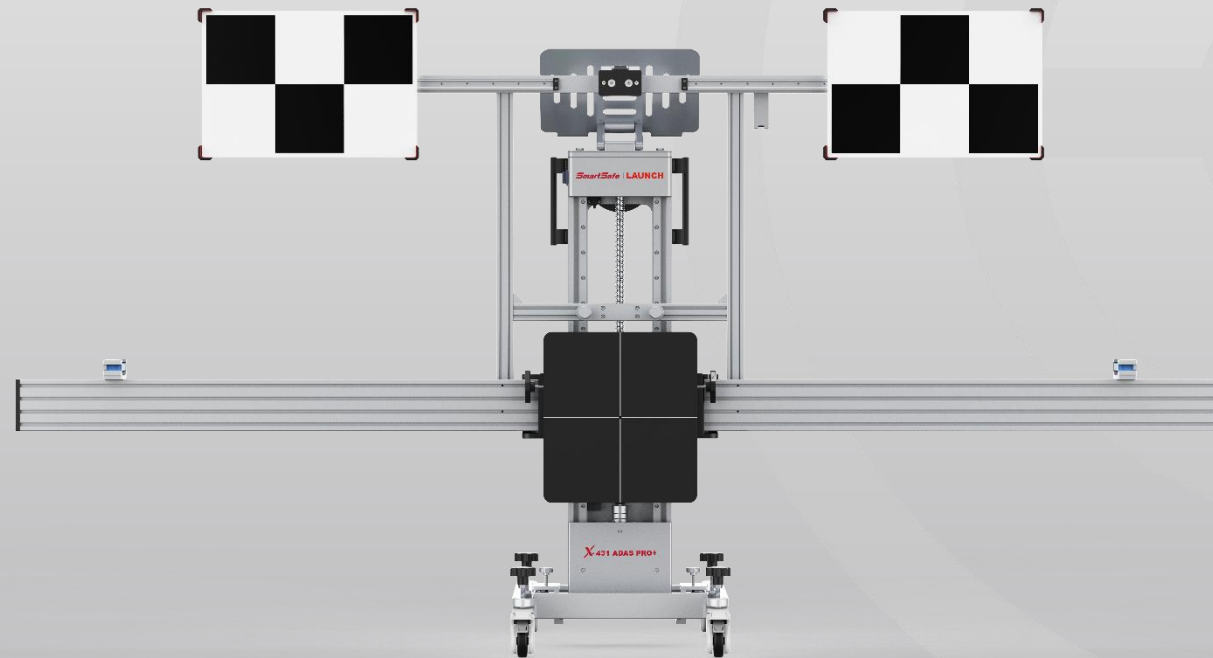
Introduction

- X-431 ADAS PRO+ is a high-precision professional ADAS calibration tool that meets the needs of daily ADAS calibration for car workshops and glassworks.
- X-431 ADAS PRO+ mainly consists of main frame, wheel clamp, target holder, laser range finder, range panel, calibration target. It supports multi-directional fine-tuning, including level, front and back, right and left.
- X-431 ADAS PRO+ enables calibration for vehicle's ADAS systems, such as LDW, ACC, AVM, RCW, BSD, NVS, and more.
- It's compatible with BSD, AVM and rear camera targets of X-431 ADAS PRO and X-431 ADAS Mobile



Features

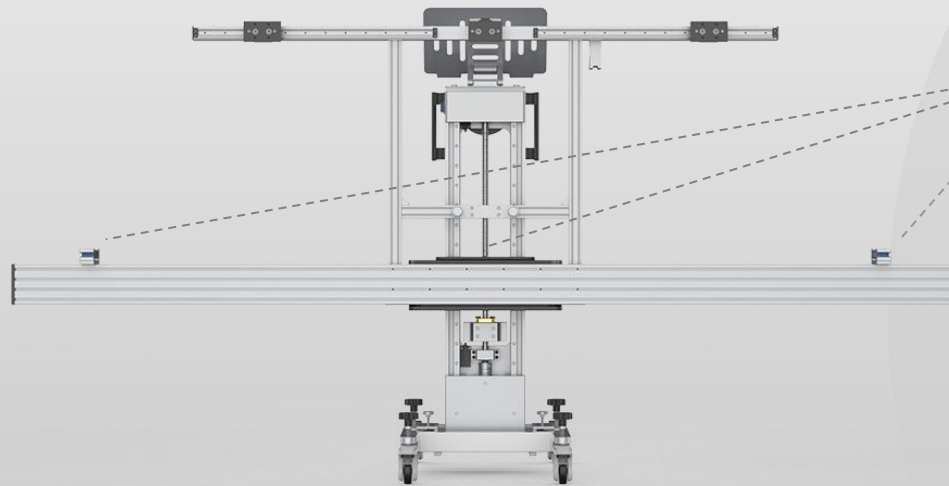
- Ultra-high precision
- Accurate & comfortable adjustment
- Fast positioning



LAUNCH
EUROPE GMBH



Ultra-high precision



3 x Laser range finders



2 x Wheel clamps with range panel

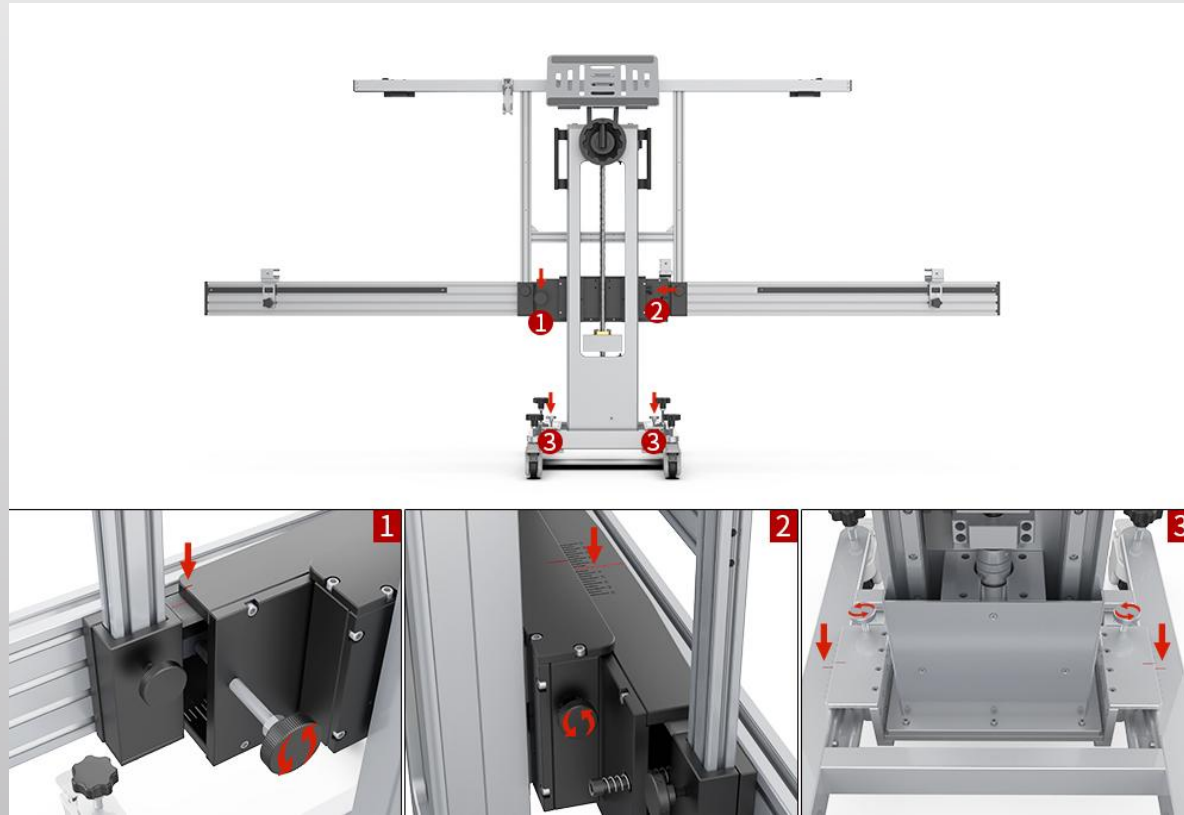


Moveable range panel

LAUNCH
EUROPE GMBH



Accurate & comfortable adjustment



Multi-directional and multi-angle:

- ① Parallel fine-tuning position
- ② Left and right fine-tuning position
- ③ Front and rear fine-tuning position

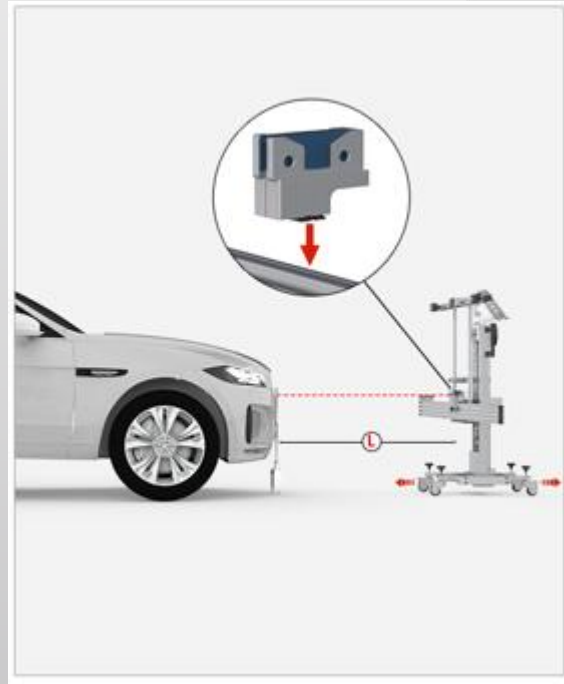
LAUNCH
EUROPE GMBH



Fast positioning



Center laser determines that frame is central to the vehicle



Laser range finder determines the distance between frame and vehicle.

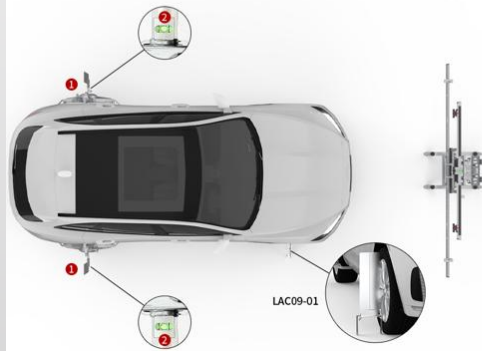


Laser range finders at both sides determine that the frame is parallel to the vehicle axle.

Improved calibration tutorial in software

Step 2 -- Condition 3

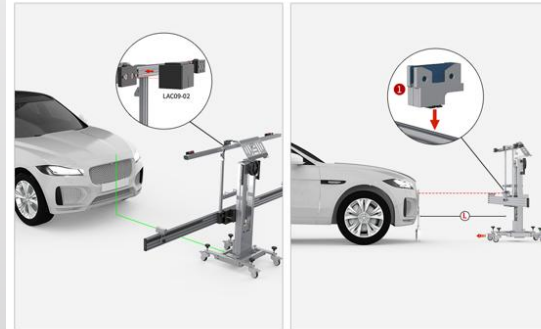
The method of measuring from the front wheel to target



Install the wheel clamp and ranging panel

1. Install the wheel clamp ① on vehicle left and right rear wheels, and ensure the spirit level ②.
2. Place **Ranging panel LAC09-01** on the center of the vehicle front wheel and make sure it is perpendicular to the front wheel.

Step 3 -- Determine the distance of device placement



1. Install **Central laser LAC09-02** on **Mounting plate LAC09-03** and turn on the laser, place the device in front of the vehicle so that the laser beam irradiates on the center of vehicle.
2. Install the rangefinder ① on the middle of the beam, turn on the rangefinder so that the laser spot irradiates on **Ranging panel LAC09-01**.
3. Move the device back and forth to make the value of rangefinder ① is $L = \text{_____} \text{ mm}$.

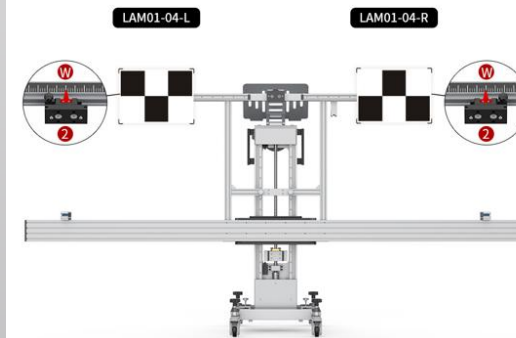
Note: If the laser spot cannot be irradiated on the ranging panel, adjust the device height.

Step 6 -- Adjust the device to be parallel to the vehicle and centered



1. Adjust the left and right fine-tuning knob ① to make the laser beam of **Center laser LAC09-02** irradiates on the center of vehicle.
2. Turn off and remove the **Center laser LAC09-02**.

Step 7 -- Install the target



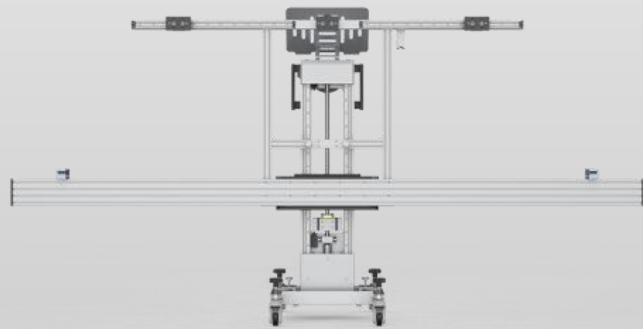
Small target -- Condition 2: Multiple targets/multiple positions

1. Move the left and right sliding blocks ② to position W, $W = \text{_____}$.
2. Use the targets LAM01-_____ and LAM01-_____, and install the targets on the left and right sliding blocks ②.

LAUNCH
EUROPE GMBH



LE Configuration



Main Frame



Accessories



VW/Audi LAM01-02

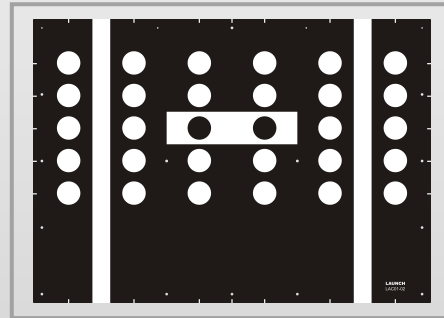


Targets

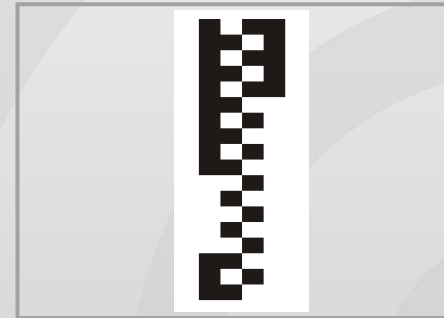
LAUNCH
EUROPE GMBH



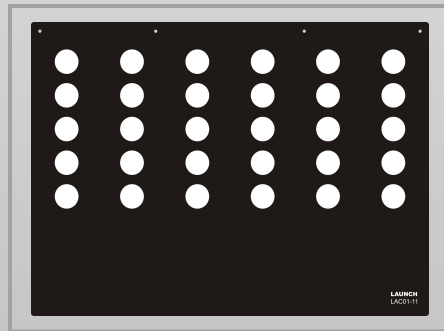
LDW Targets – Big Targets



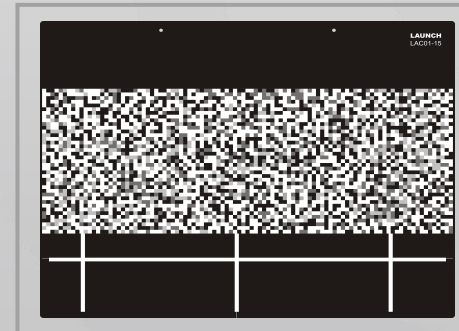
VW/Audi LAM01-02



Hyundai/Kia LAM01-09



Alfa Romeo LAM01-11
Optional

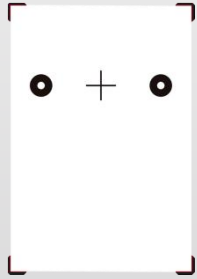


Subaru LAM01-15

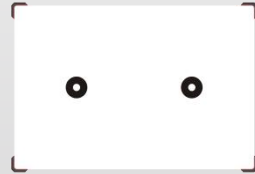
LAUNCH
EUROPE GMBH



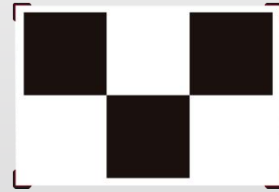
LDW Targets – Small Targets



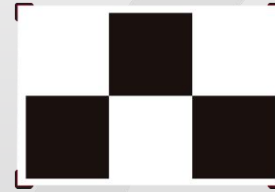
Benz LAM01-01



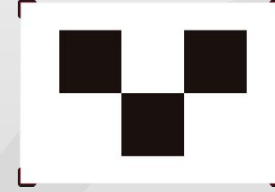
Mazda LAM01-10



Honda LAM01-04-L



Honda LAM01-04-R



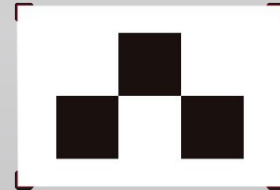
Nissan LAM01-07-L



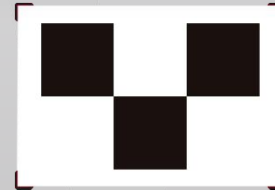
Hyundai/Kia LAC01-13



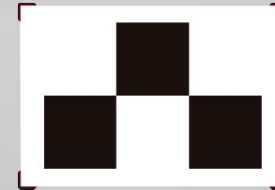
Honda LAM01-20



Nissan LAM01-07-R



Mazda LAM01-16-L

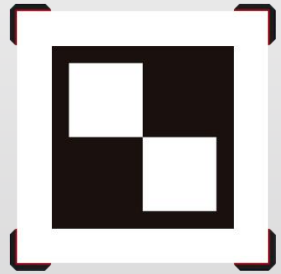


Mazda LAM01-16-R

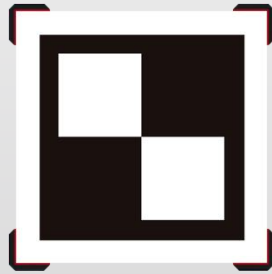
LAUNCH
EUROPE GMBH



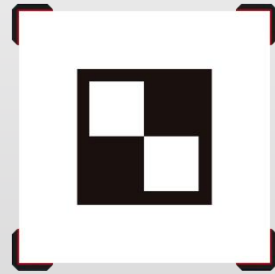
LDW Targets – Small targets (included)



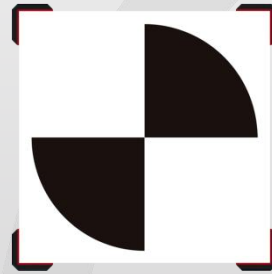
Toyota LAM01-06-1



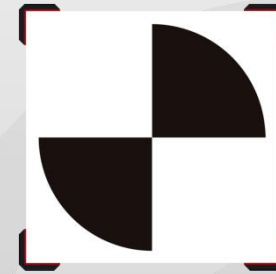
Toyota LAM01-06-2



Toyota LAM01-06-3



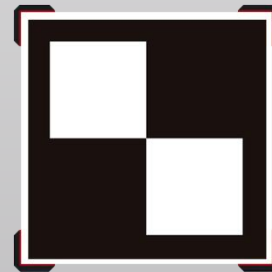
Renault/Nissan
LAM01-12-L



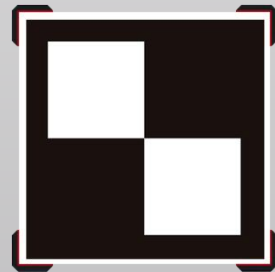
Renault/Nissan
LAM01-12-R



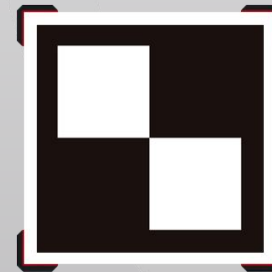
Honda LAM01-17



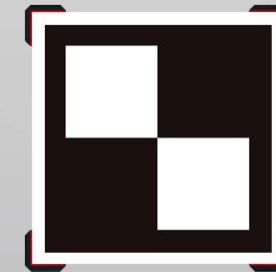
Suzuki LAM01-18-L



Suzuki LAM01-18-R



Mitsubishi LAM01-19-L



Mitsubishi LAM01-19-R

LAUNCH
EUROPE GMBH



LDW Targets – Alu-box (included)



Alu-Box stores all the front targets:

- Mercedes
- Mazda
- Honda
- Nissan
- Hyundai/Kia
- Toyota
- Renault/Nissan
- Suzuki
- Mitsubishi

LAUNCH
EUROPE GMBH



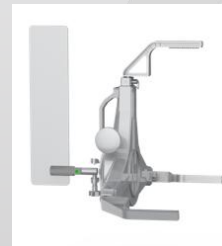
Accessories (included)



3 x Laser Range finders



**Center Laser
LAC09-02**



**2 x Wheel
Clamps with
Range Panel**



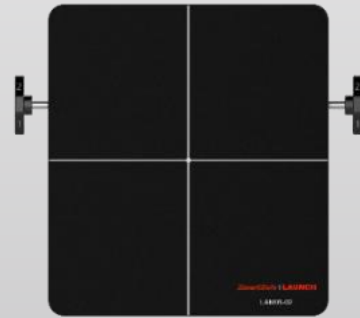
**Range Panel
LAC09-01**



**Mounting
Plate
LAC09-03**



Radar, corner reflector, doppler simulator



**ACC Reflector
LAM05-02 (included)**



**Corner reflector
LAC05-03 (optional)**



**Doppler simulator
LAC05-04 (optional)**

AVM/RCW Targets (optional)

European pack:

- Mercedes
- VW
- Renault
- Porsche

American pack:

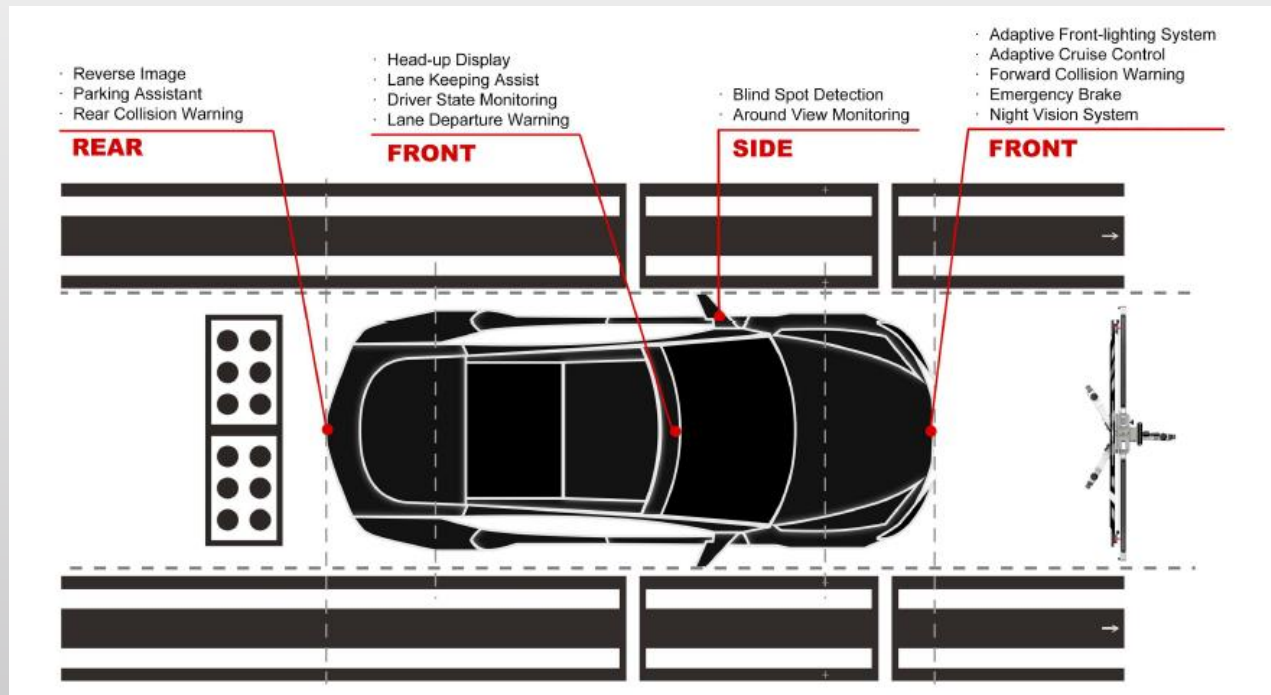
- Ford
- Cadillac

Asian pack:

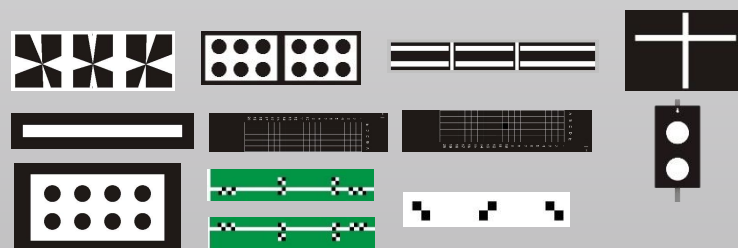
- Honda
- Nissan
- Hyundai
- Mitsubishi
- Toyota



Complete ADAS calibration solution



LDW Front Targets (included)



AVM/RCW Target (optional)



ACC Reflector LAM05-02 (included)



Corner Reflector LAC05-03 (optional)



Doppler Simulator LAC05-04 (optional)

LAUNCH
EUROPE GMBH

Coverage

European

Mercedes-Benz, BMW, Volkswagen, Audi, Land Rover, Jaguar, Volvo, Fiat, Opel, Seat, Skoda, Renault, Citroen, Smart, Mini, Peugeot, Porsche, and more.

American

GM, Ford, Chrysler, Buick, Cadillac, Chevrolet, Dodge, Jeep, Lincoln, GMC, Holden, and more.

Asian

Toyota, Lexus, Honda, Acura, Nissan, Infiniti, Kia, Hyundai, Mazda, Mitsubishi, Suzuki, Subaru and more.

LAUNCH

EUROPE GMBH



Order Information

Product Name:	X-431 ADAS PRO+	
Article Number:	BU-SET-22- ADASP+-01	
List Price:	9990€ + VAT	
Package Information:	Size	Main unit (wooden box): 1025x785x1400 mm Cross beam (carton): 2895x215x248 mm LDW target holder - with VW target (carton): 1870x1020x275 mm Front panel package (wooden box): 1440x1050x850 mm ACC (carton): 513x462x325 mm
	Weight	299 kg

LAUNCH
EUROPE GMBH



Thank you!

DIAGTOOLS LTD



Pernavas 43A, Riga, Latvia, LV-1009



+37129416069



www.diagtools.eu



LAUNCH
EUROPE GMBH

