

# X-431 IMMO PRO

**LAUNCH**  
EUROPE GMBH



# Introduction

- X-431 IMMO PRO, based on Android 10 system, is a new 8 Inch vehicle key programming device developed by LAUNCH. It provides powerful anti-theft solution to locksmiths and car repair shops.
- It supports vehicle key, engine and gear box programming, featuring powerful multiple parts reprogramming and wide range of vehicle coverage.
- In addition, it passes on LAUNCH's advantages in diagnostic technology, such as wide car model coverage, powerful diagnostic function, abundant special functions and accurate test data.
- User-friendly interface increases efficiency of daily work

**LAUNCH**  
EUROPE GMBH



# Functions

## Anti-theft

- Key and Immobilizer Programmer
- Anti-theft module, ECU, Gearbox ECU replacement
- EEPROM, MCU, ECU, Gearbox ECU chip read/write
- Add Key

## Diagnostic

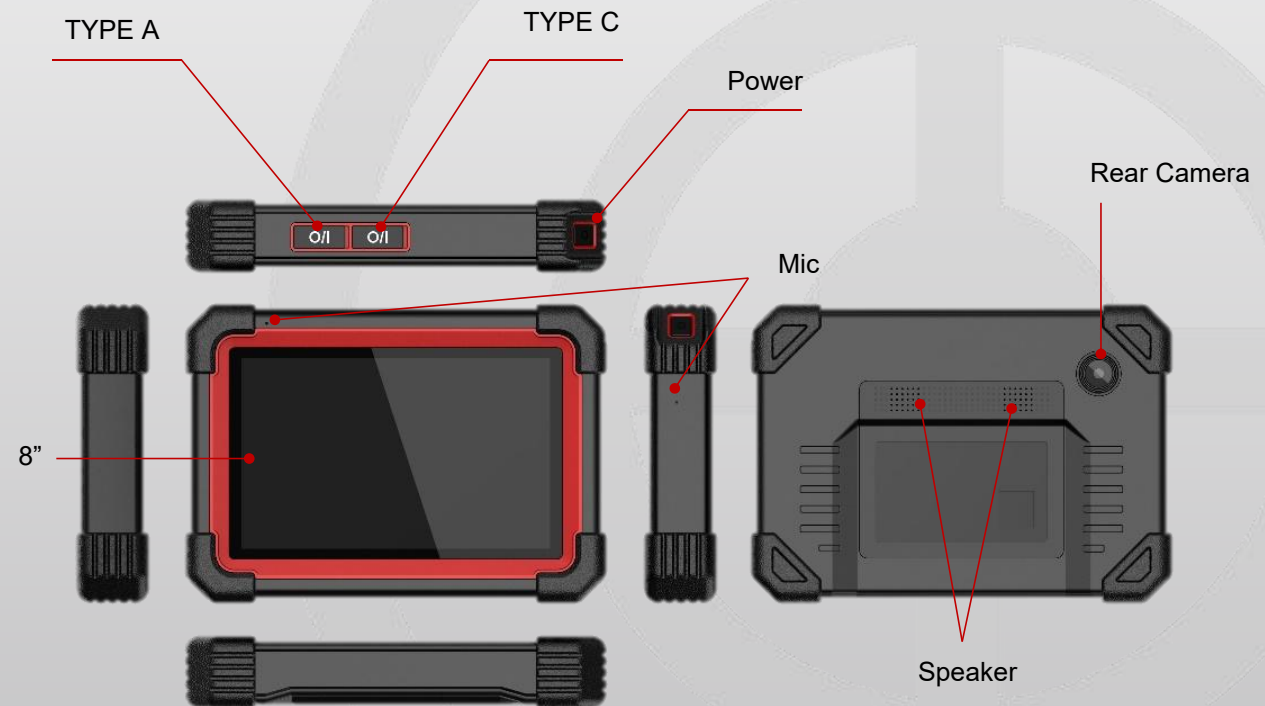
- Intelligent and local diagnostic with basic diagnostic functions (read/clear DTC, live data streaming).
- 110 + models comprehensive diagnostic
- 10 service functions: Brake reset, Oil maintenance reset, Steering angle reset, Battery matching, ABS bleeding, Electric throttle relearn, TPMS reset database, DPF regeneration, Gearbox learning, Injector coding

**LAUNCH**  
EUROPE GMBH



# Tablet information

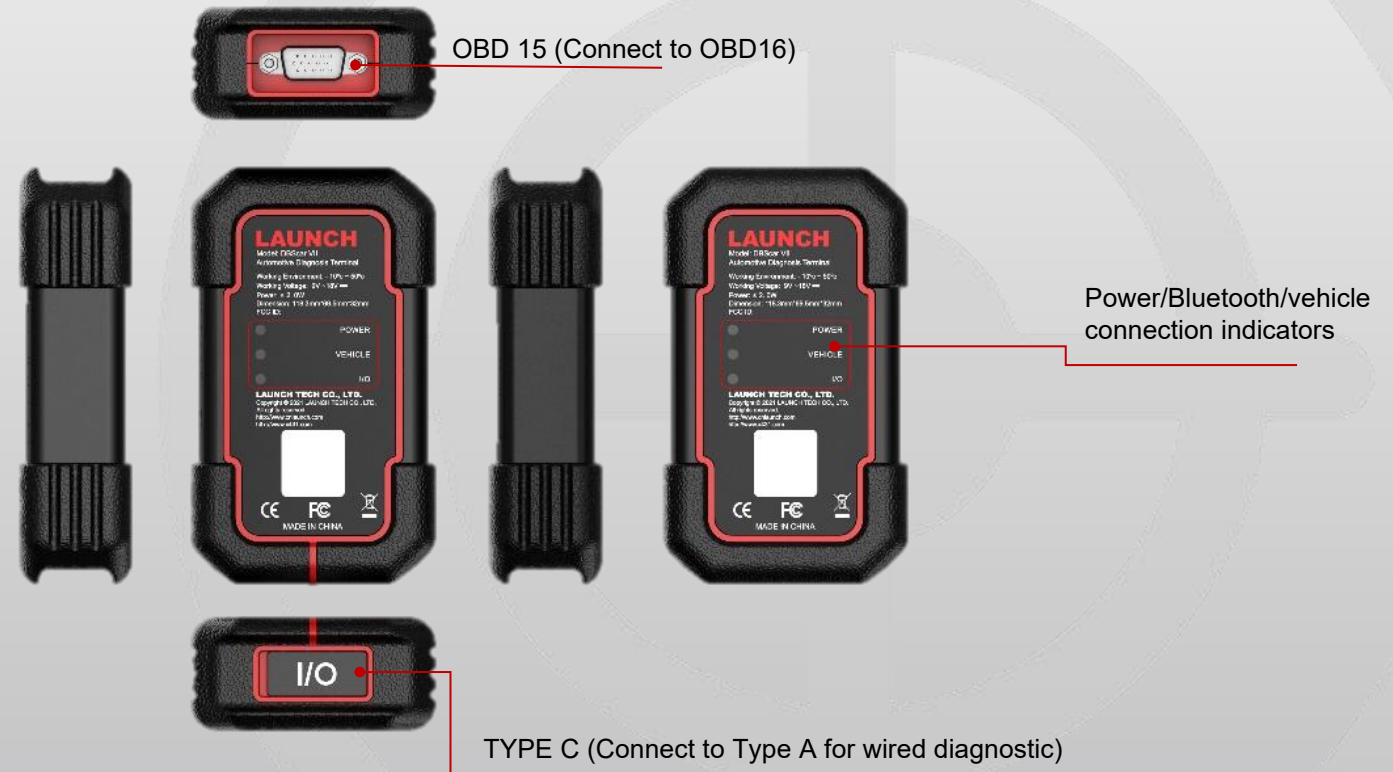
- CPU: 2.0GHz, Quad-Core
- Memory: 4GB
- Storage: 64GB
- Display: 8", 1280x800
- Battery: 47.88Wh(7.6V, 6300mAh)
- Camera: Rear 8MP
- WIFI: 2.4GHz/5GHz
- Interface: USB TYPE A x1, USB TYPE C x1
- Operating temperature: 0~50°C



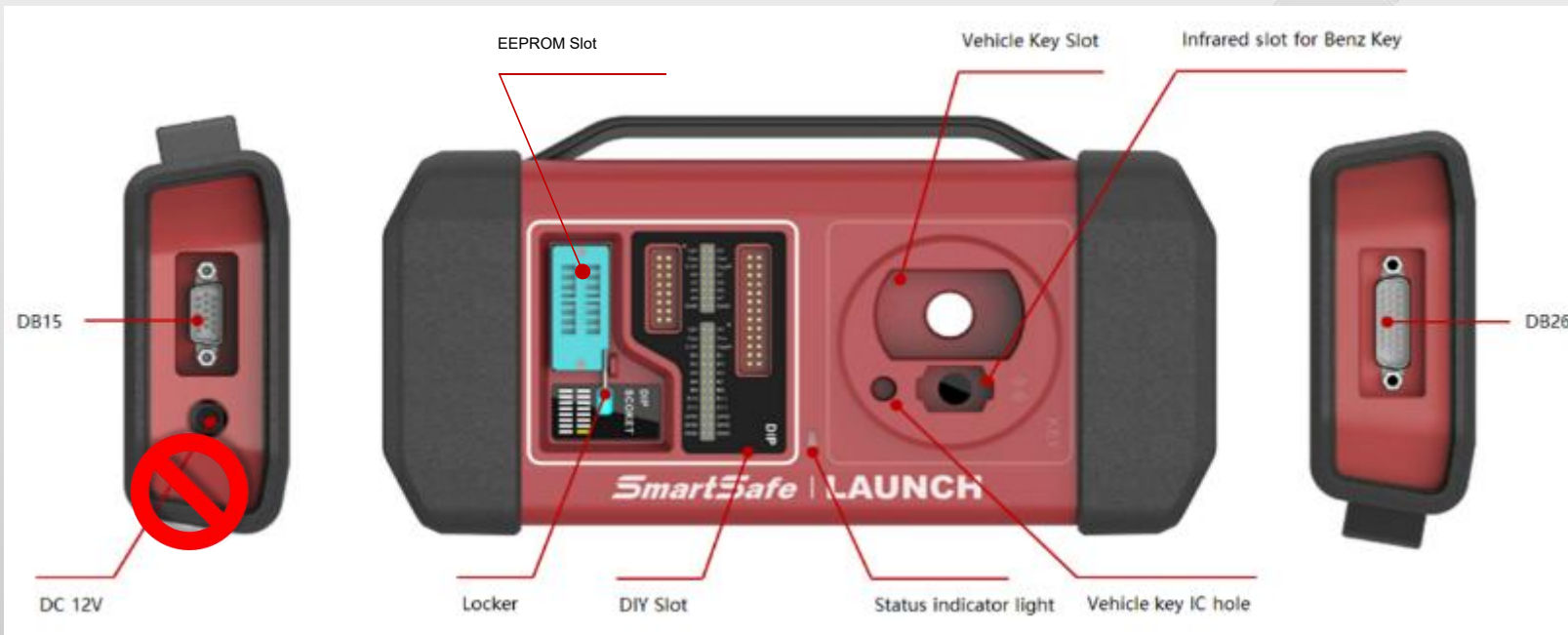
# VCI information

- Brand New Design VCI – DBSCar VII
- Various Protocol
  - ✓ CAN FD/CAN/SCAN/FCAN
  - ✓ DoIP \*
  - ✓ KWP/L-line
  - ✓ J1850 PWM
  - ✓ VPW
  - ✓ Chrysler CCD
  - ✓ More ...

\*Need to purchase an extra DoIP cable.



# X-PROG3 information



**DC 12V is useless currently.**

Interface	DB26, DB15
Input voltage	DC12V
Input current	500mA
Working temperature	0-50°C
Storage temperature	-20-70°C

Name	Description
Vehicle Key Slot	To place car key for RF defection
DB26	Used to connect to each anti-theft cables
Infrared slot for Benz key	Used to place the Mercedes-Benz infrared key to perform the key matching function
Key IC hole	Used to place the key chip to perform the key matching function
Status Indicator	Power supply indicator lamp
DIY slot	Used to connect the anti-theft ECU pin through the cable to read and write data
Locker	To tighten loose EEPROM board
DC 12V	Used to connect to the DC12 power supply.
DB15	To connect with vehicle's DLC
EEPROM Slot	To insert EEPROM board



# Features

- Supports VW/AUDI MQB platform engine ECU replacement or cloning (Read engine ECU data directly from the key).
- Supports VW/AUDI MQB platform gearbox ECU replacement or cloning.
- Supports ECU replacement for fifth-generation Audi (0AW/0B5) gearboxes.
- Supports reading, writing & cloning of the ECU for fourth-generation VW UDS engines.
- Supports BMW E chassis 8HP gearbox ECU program wiping
- Backup/restore programming data (For Bosch/Siemens engine ECU).



# Anti-theft Functions

- VW, Audi, Skoda, SEAT, BMW, Mercedes-Benz, Toyota, etc.
- Engine system, automatic transmission, instrument system, CAS(BMW Car Access System), body system, lock system, etc.
- Integrated functions for key matching/copying, anti-theft IC reading & writing, and ECU reading & writing, etc.
- Supports most major manufacturers ECU/MCU/EEPROM units, with over 1200 product models and constantly being updated.
- Supports non-35XX Volkswagen and Audi instrument ECUs without disassembly and replacement (can be read directly through independent wiring harness, no need to disassemble the chip).



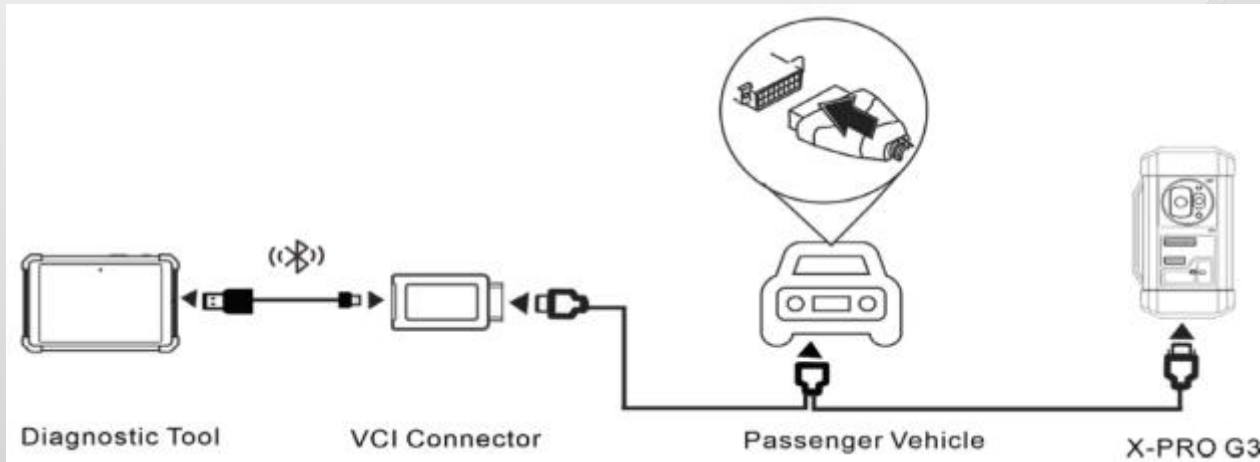


# Anti-theft Functions

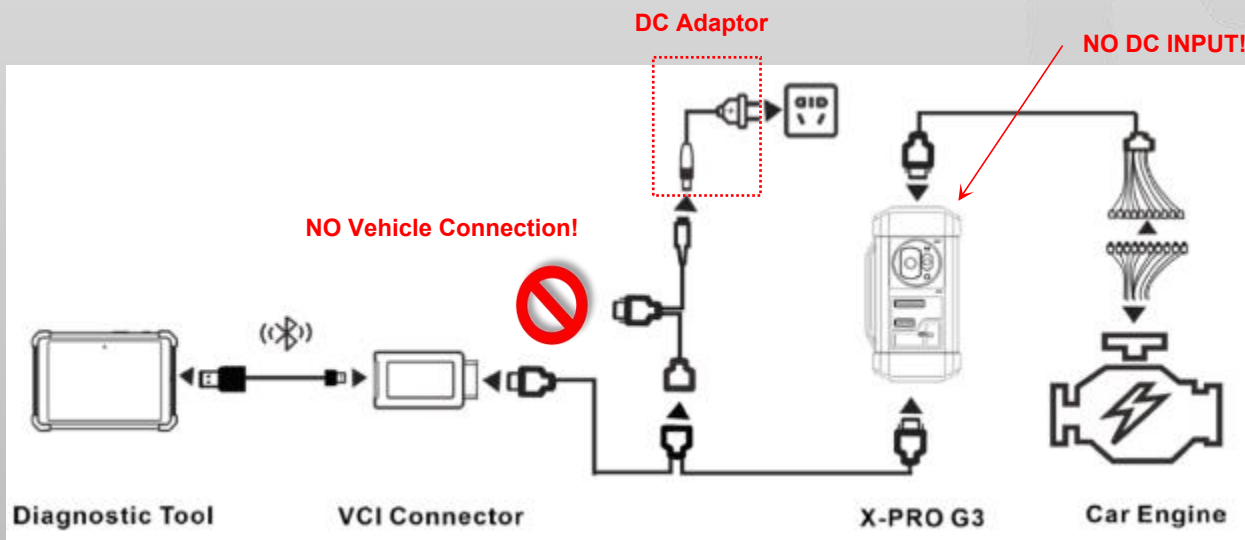
- Supports ECU replacement of fourth-generation VW/AUDI engines
- Supports ECU replacement of fifth-generation VW/AUDI, Bosch and Siemens engines.
- Supports Audi 4th generation EZS, Comfortable System Central Control Module and KESSY chip all lost data and replacement.
- Supports the BMW F and G chassis 8HP gearbox ECU program wiping
- Supports BMW CAS4/CAS4+ module replacement
- Supports ECU cloning and replacement for BMW Siemens engines.
- Erase the password for Mercedes-Benz engine and gearbox within 3S.
- Add the function for finding the password for the Mercedes-Benz key within 1 minute.



# Connections



Key Programming



Engine/Gearbox  
Anti-Theft Matching

**LAUNCH**  
EUROPE GMBH



# Packing Info – Scope of delivery

- IMMO PRO 8-inch tablet
- DBSCARVII connector
- X-PROG3 anti-theft matching programmer configuration
- Power adapter, 5V / 5A
- Type A to type C USB data cable
- Connection cable
- X-431 IMMO Pro quick start
- X-431 PIN envelope



# Thank you!



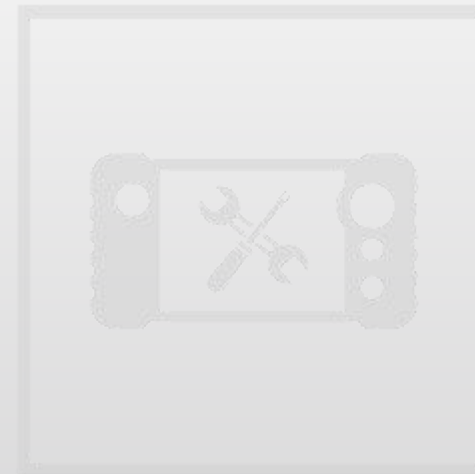
Diagtools LTD  
Pernavas 43A, Riga, Latvia



tel. +37129416069, +37167704152



diagtools@diagtools.lv  
www.diagtools.lv



**LAUNCH**  
EUROPE GMBH

