

X-431 IMMO PAD

LAUNCH
EUROPE GMBH



Introduction

- X-431 IMMO PAD, based on Android 7 system, is a new 10 Inch vehicle key programming device developed by LAUNCH. It provides powerful anti-theft solution to locksmiths and car repair shops.
- It supports vehicle key, engine and gear box programming, featuring powerful multiple parts reprogramming and wide range of vehicle coverage.
- In addition, it passes on LAUNCH's advantages in diagnostic technology, such as wide car model coverage, powerful diagnostic function, abundant special functions and accurate test data.
- User-friendly interface increases efficiency of daily work

LAUNCH
EUROPE GMBH



Functions

Anti-theft

- Key and Immobilizer Programmer
- Anti-theft module, ECU, Gearbox ECU replacement
- EEPROM, MCU, ECU, Gearbox ECU chip read/write
- Add Key

Diagnostic

- Intelligent Diagnostic.
- 110 + models comprehensive diagnostic functions, service functions, actuation tests
- Advanced coding and programming
- Smartlink Remote Diagnosis (optional license)
- J2534/RP1210/D-PDU



Tablet information

- CPU: 2.0GHz, Octa-Core
- Memory: 4GB
- Storage: 64GB
- Display: 10.1", 1920x1200
- Battery: 9360mAh
- Camera: Front 8MP, Rear 13MP
- WIFI: 2.4GHz/5GHz
- Interface: USB TYPE A x1, USB TYPE C x1
- Protection: IP65
- Operating temperature: 0~50°C



VCI information

Function:

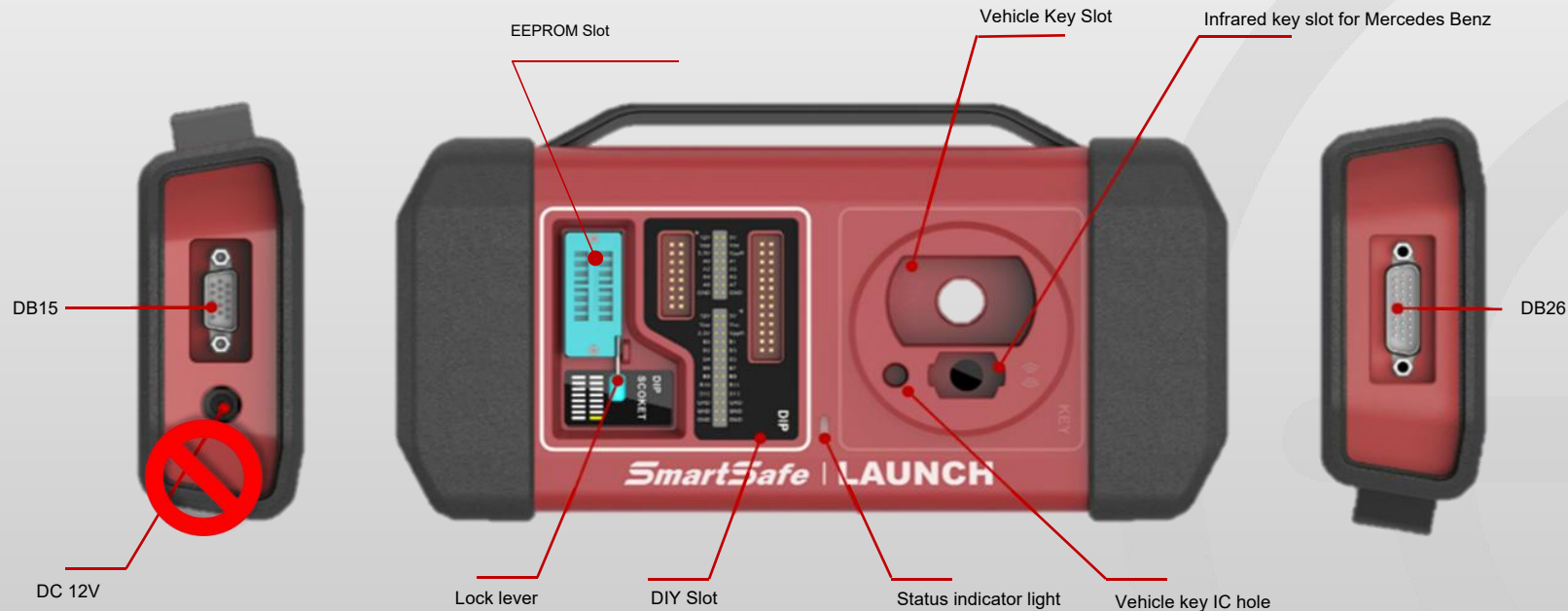
- Local Diagnosis VCI
- Remote Diagnosis VCI (LAUNCH SRDs)
- Compatible with DoIP
- Pass-Thru VCI
 - J2534
 - D-PDU
 - RP-1210
- Support both passenger cars and commercial vehicles (HD Software optional)



LAUNCH
EUROPE GMBH



X-PROG3 information



DC 12V is useless currently.

Interface	DB26, DB15
Input voltage	DC12V
Input current	500mA
Working temperature	0-50°C
Storage temperature	-20-70°C

Name	Description
Vehicle Key Slot	To place car key for RF defection
DB26	Used to connect to each anti-theft cables
Infrared slot for Benz key	Used to place the Mercedes-Benz infrared key to perform the key matching function
Key IC hole	Used to place the key chip to perform the key matching function
Status Indicator	Power supply indicator lamp
DIY slot	Used to connect the anti-theft ECU pin through the cable to read and write data
Locker	To tighten loose EEPROM board
DC 12V	Used to connect to the DC12 power supply.
DB15	To connect with vehicle's DLC
EEPROM Slot	To insert EEPROM board



Features

- Supports VW/AUDI MQB platform engine ECU replacement or cloning (Read engine ECU data directly from the key).
- Supports VW/AUDI MQB platform gearbox ECU replacement or cloning.
- Supports ECU replacement for 5th generation Audi (0AW/0B5) transmissions.
- Supports reading, writing & cloning of the ECU for 4th generation VW UDS engines.
- Supports BMW E chassis 8HP gearbox ECU program wiping
- Backup/restore programming data (For Bosch/Siemens engine ECU).



Anti-theft Functions

- VW, Audi, Skoda, SEAT, BMW, Mercedes-Benz, Toyota, etc.
- Engine system, automatic transmission, instrument system, CAS (BMW Car Access System), body system, lock system, etc.
- Integrated functions for key matching/copying, anti-theft IC reading & writing, and ECU reading & writing, etc.
- Supports most major manufacturers ECU/MCU/EEPROM units, with over 1200 product models and constantly being updated.
- Supports non-35XX Volkswagen and Audi instrument ECUs without disassembly and replacement (can be read directly through independent wiring harness, no need to disassemble the chip).

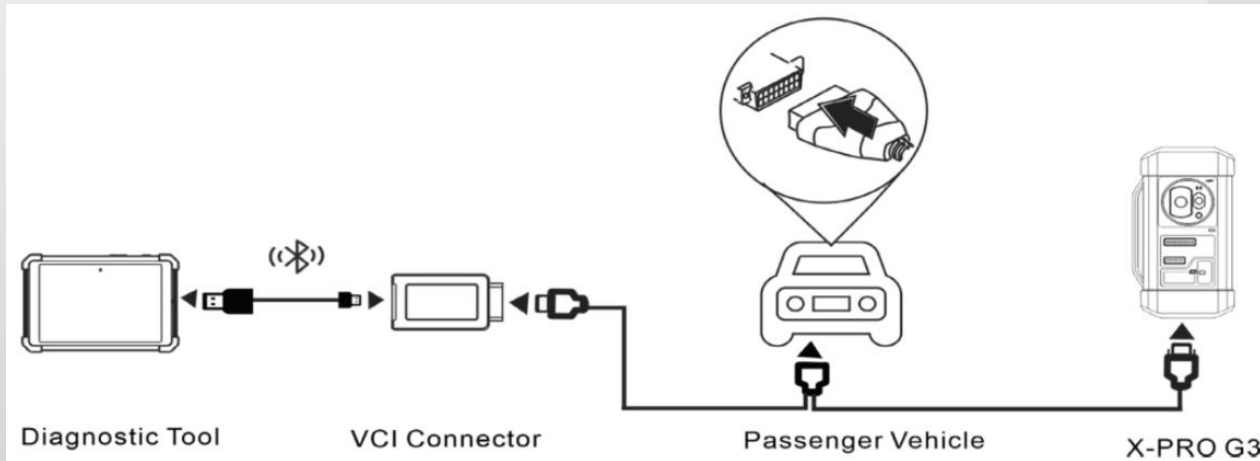


Anti-theft Functions

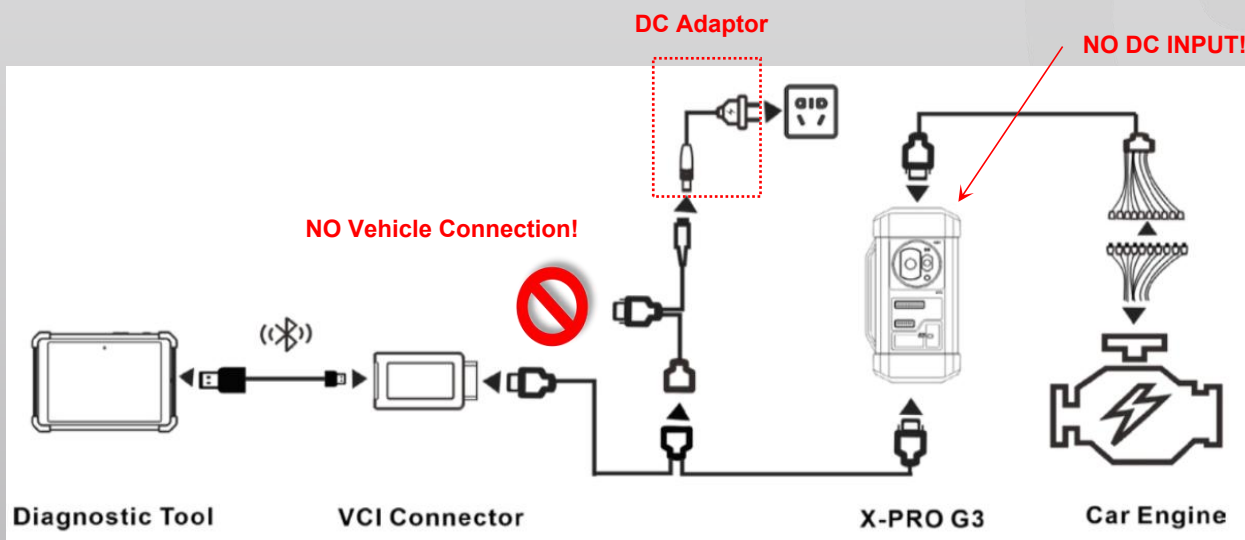
- Supports ECU replacement of 4th generation VW/AUDI engines
- Supports ECU replacement of 5th generation VW/AUDI, Bosch and Siemens engines.
- Supports Audi 4th generation EZS, Comfortable System Central Control Module and KESSY chip all lost data and replacement.
- Supports the BMW F and G chassis 8HP gearbox ECU program wiping.
- Supports BMW CAS4/CAS4+ module replacement.
- Supports ECU cloning and replacement for BMW Siemens engines.
- Erase the password of Mercedes-Benz engine and gearbox within 3 seconds.
- Add the function of finding the password for the Mercedes-Benz key within 1 minute.



Connections



Key Programming



Engine/Gearbox
Anti-Theft Matching

LAUNCH
EUROPE GMBH



Packing Info

X-431 IMMO PAD SmartLink tablet
BENZ-38 diagnostic connector
NISSAN-14+16 diagnostic connector
BENZ-14 Diagnostic connector
BMW-20 Diagnostic connector
CHRYSLER-6 Diagnostic connector
FORD-6+1 Diagnostic connector
GM/VAZ-12 Diagnostic connector
HONDA-3 Diagnostic connector
KIA-20 Diagnostic connector
MITSUBISHI/HYUNDAI-12+16 Diagnostic connector
TOYOTA-17 Diagnostic connector
TOYOTA-22 Diagnostic connector
Smartlink C
DBScar, OBD I Adaptor BOX transfer line
Double clamp power line (English), RoHS
Six Kinds of Gigabit Networks (Blue) 15m
SmartLink C end male-to-male diagnostic cable, 1m
The cigarette lighter line (English)
USB A-type to B-type cable
QC3.0 Fast Charging Adapter (including Data Line) (5V3A, 9V2.7A, 12V2A)
Overseas standard configuration of x-prog3 car anti theft matching programmer
Universal PIN envelope, RoHS
X-431 IMMO PAD quick start (Multilingual Edition)



Order Info

Product Name	X-431 IMMO PAD
Article Number*	LE-IMMOPA-321192213
Package info	613x306x433mm 14,6kg

*Incl. 1 year software update



1 Year Software Renewal Card

Article Number*

LE-DRC-301180865

LAUNCH
EUROPE GMBH



Thank you!



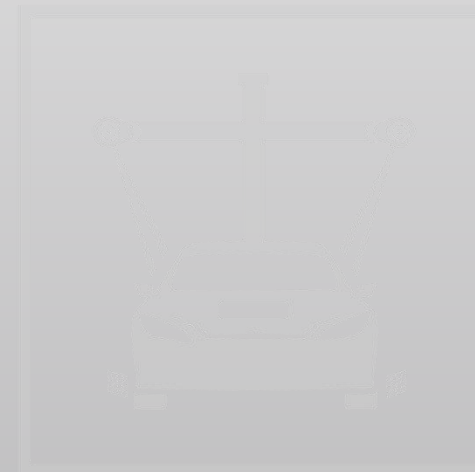
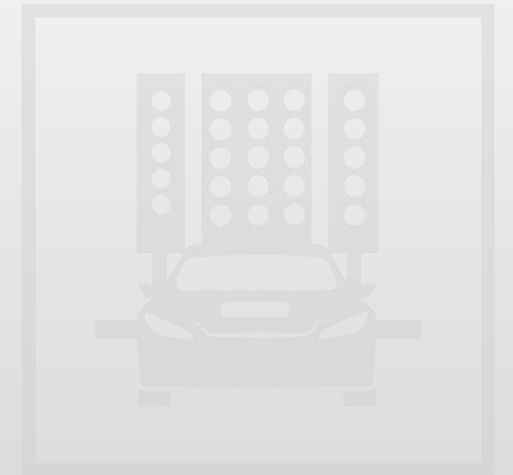
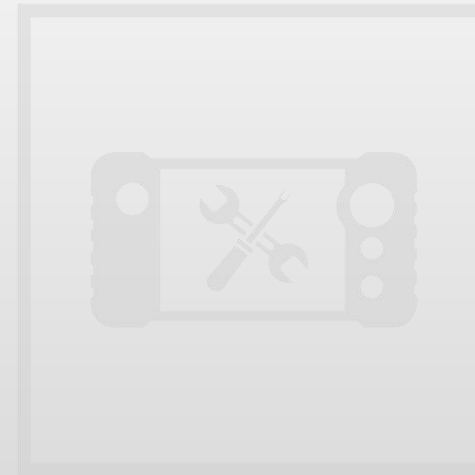
Pernavas 43A, Riga, Latvia, LV-1009



+37129416069



www.diagtools.eu



LAUNCH
EUROPE GMBH

