

auto^{com}

ADAS TRUCKS Calibration

Ideal for glass and repair workshops – by professionals for professionals.
The mobile product solution for the calibration of truck, bus and van assistance systems.

More customers and higher sales.

With the increasingly widespread use of technical assistance systems such as automatic emergency braking or lane departure warnings, replacing windcreens is becoming more and more complex. It requires the use of the corresponding optical adjustment devices and reference panels together with a diagnostic device. To solve this problem Autocom can offer a mobile product solution specifically designed for the calibration of the assistance systems on trucks, buses and vans.

THE PERFECT SOLUTION FOR GLASS AND REPAIR WORKSHOPS

- Allows calibration on trucks from all major commercial vehicle manufacturers with the Autocom diagnostics solution.
- The easy to transport mobile adjusting device includes corresponding reference panels. This allows all work to be carried out on-the-spot within the customers premises.
- Calibration is performed in accordance with OE manufacturer specifications.

YOUR ADVANTAGES AT A GLANCE

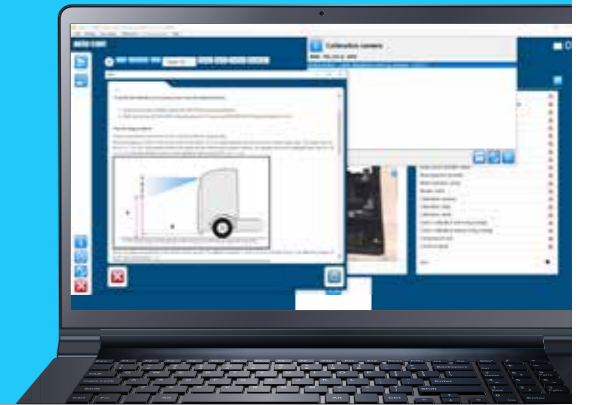
- Security
- Stronger customer loyalty
- Wide brand coverage
- Mobility and flexibility
- Increased competency
- Generates additional sales





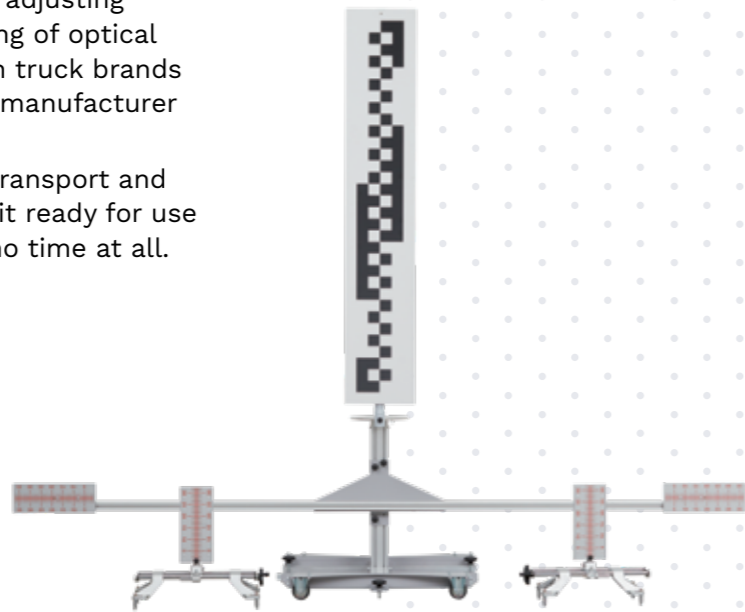
THE MOBILE DIAGNOSTICS SOLUTION FOR ADAS CALIBRATION

The ADAS TRUCKS Calibration complete kit includes the diagnostic hardware CDP+ for calibration packed in a sturdy case. Diagnostic adapter cables are available as accessories.



THE MOBILE ADJUSTING DEVICE WITH REFERENCE PANELS (TARGETS)

- The laser-based Autocom mobil adjusting device is a tool for the positioning of optical reference panels for all common truck brands and models in accordance with manufacturer specifications.
- The adjusting device is easy to transport and has short set-up times, making it ready for use on the customer's premises in no time at all.



auto[↳]com[®]

DIAGTOOLS

Pernavas 43A, Riga, Latvia, LV-1009

+37129416069 • www.diagtools.eu • info@diagtools.eu